

OIL BUBBLE INDICATOR

R.OBA.247

Oil bubble indicator without guard (picture + drawing A)

R.OBA.247/SK

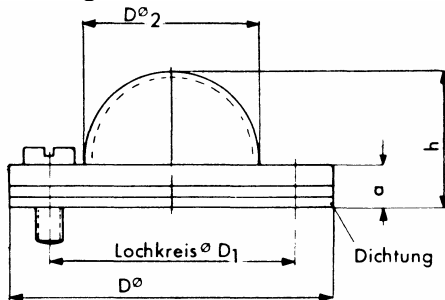
Oil bubble indicator with guard (drawing B)

Aluminium, viewing dome of makrolon, with cylinder head screws.
 Temperatures up to 65°C

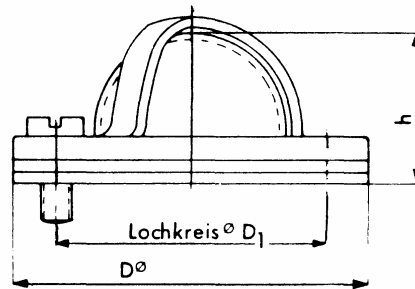


Size	DIN 84	D mm	D1 mm	D2 mm	a mm	h mm
2	6xM5x15	70	60	45	8	28
3	6xM6x15	98	83	67	9	34

Drawing A



Drawing B

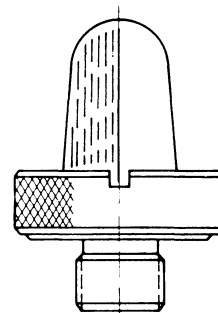
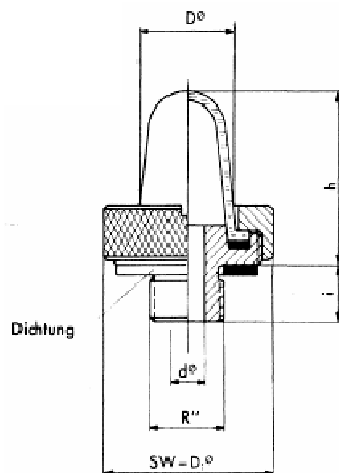


R.OBA.248

Oil bubble indicator of brass

Viewing dome of makrolon (also usable as oil sight glass). Temperatures up to 100°C.

Size	36	Thread	i mm	h mm	dØ mm	DØ mm
1	6xM5x15	R 1/2"	9	36	13	24



Subject to change