



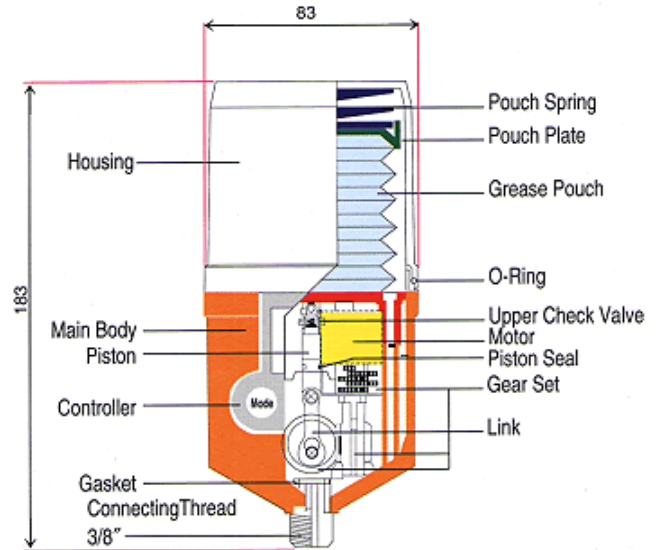
PULSARLUBE

Operating Principles

PULSARLUBE M, a single-point automatic grease dispenser is designed to ensure reliable lubrication and cut lubrication costs with an advanced electric control mechanism. It consists of a vertical feed pump, motor/gear set, and microprocessor control system, allowing operating pressure up to 20kg-f/cm² (280psi).

The lubricant is supplied in 125cc or 250cc **PULSARLUBE M** pouch. Grease pouch and battery pack are replaceable in one package. **PULSARLUBE M** is designed to operate across a wide temperature range from -15 to +60°C

A carefully selected full range of high performance lubricants enables accurate selection of grease : i.e. mineral based multipurpose, heavy duty, high speed, fully synthetic food grade(USDA H1), high temperature and cold temperature lubricants. **PULSARLUBE M** optional dispensing rates from 1 to 12 months in a single unit.



ADJUSTMENT GUIDELINES

In the chart below are some guidelines for bearing lubrication requirements. Requirements may vary with individual bearing types or operating conditions. Always refer to the bearing manufacturers maintenance guide if uncertain of the required greasing rate.

Specification

Grease pouch	125cc or 250cc
Power Supply	DC 4.5V (replaceable)
Operating Pressure	up to 20kg-f/cm ² :280psi
Operating Temperature	from -15 to +60°C
	Temperature range can be varied by either a relative humidity or heat radiation in the application.
Lube dispensing rate	1,2,3,6, and 12months
Lube cycle	approx. 20 seconds/cycle
Dispensing volume	0.347cc/cycle
Dispensing accuracy	±3%
Output thread	Brass 3/8" (NTP or BSP)
LCD Screen displays	Dispensing rate set Time left till replacement Low battery power ✖ Motor Overload ✖ Low grease level ✖ ✖, Error Message

Ball & Roller Bearings				
Bearing Shaft Diameter	125 cc	Dispensing Equivalents	250 cc	Dispensing Equivalents
121 ~ 305 mm (4-3/4" ~ 12")	-	-	Half month	16.6 cc/day
105 ~ 120 mm (4-1/8" ~ 4-3/4")	Half month	8.3 cc/day	1 month	8.3 cc/day
88 ~ 104 mm (3-1/2" ~ 4-1/8")	1 month	4.2 cc/day	2 month	4.2 cc/day
79 ~ 87 mm (3-1/8" ~ 3-1/2")	2 month	2.1 cc/day	3 month	2.8 cc/day
63 ~ 78 mm (2-1/2" ~ 3")	3 month	1.4 cc/day	6 month	1.4 cc/day
49 ~ 62 mm (2" ~ 2-1/2")	6 month	0.7 cc/day	12 month	0.7 cc/day
25 ~ 48 mm (1" ~ 2")	12 month	0.3 cc/day	-	-

Grease Selection Guidelines		
Model	Grease Type	Description
PL1	Multi Purpose	High performance NLGI 2EP grease for multipurpose application to moderately high temperature or loaded applications. (Green)
PL2	Heavy Duty	High performance NLGI 2EP grease for heavy-duty applications. Dark gray colored (contains MoS ₂).
PL3	High Speed	High performance NLGI 1 grease specially designed for high-speed applications (above 3,000 rpm).
PL4	Food Grade	USDA H1 rated NLGI 1 High performance Aluminum Complex grease for food applications.
PL5	High Temperature	Fully synthetic high performance NLGI 2 grease for extreme temperature applications.
PL6	Multi Purpose	Yellowish colored PL1 for applications where use of dark color grease is not desirable.
PL7	Cold Temperature	High performance EP grease specially designed for cold temperature applications (below 0°C/32°F).

OEM filling is available on demand. For specific terms and conditions, please contact your local distributor or the manufacturer

OPERATION

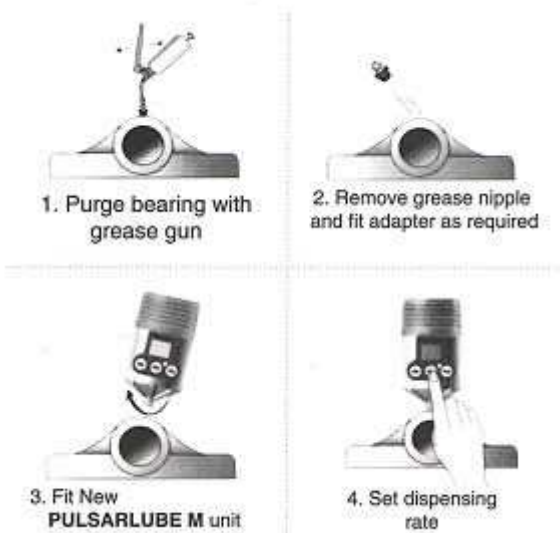
Insert the **PULSARLUBE M BATTERY PACK** into the battery compartment of main unit. Unscrew the cap of **PULSARLUBE M GREASE POUCH**. Position the pouch outlet onto the pump suction inlet. Fit the Top cover to main unit. **Be careful! It is high-tension spring-loaded and needs caution.**

Turn a new **PULSARLUBE M** on by depressing the **POWER** button for two seconds. And then confirm LCD turned on and red LED blinks. As long as LCD is displayed, the unit is working. To test unit operation, simply follow the **FUNCTION TEST MODE**:

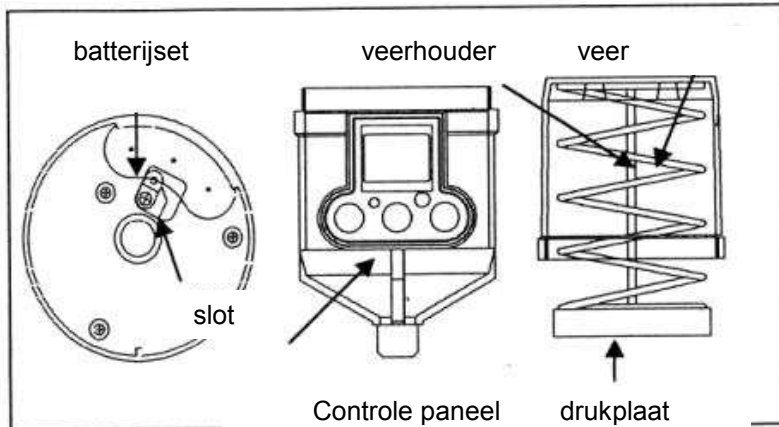
- **Depress POWER button first and then depress 125/250cc button within next 2 seconds.**
- Unit will continuously operate unless POWER button is depressed.
- To deactivate FUNCTION TEST MODE, depress POWER button again. Unit will stop testing within less than 2 seconds.

* For any malfunction or trouble encountered, please refer to troubleshooting guideline.

Depress MODE button to set dispensing rate. Each time MODE button is depressed; the dispensing rate changes from 1,2,3,6, and 12 month.



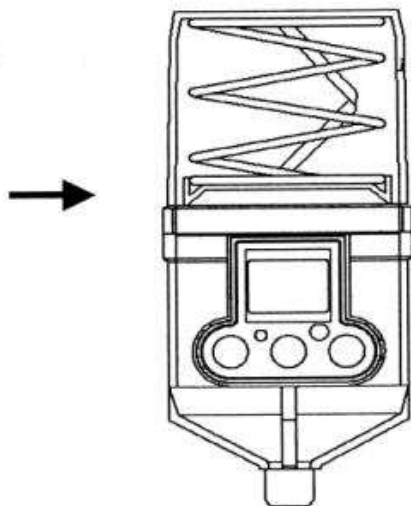
Pulsarlube bestaat uit:



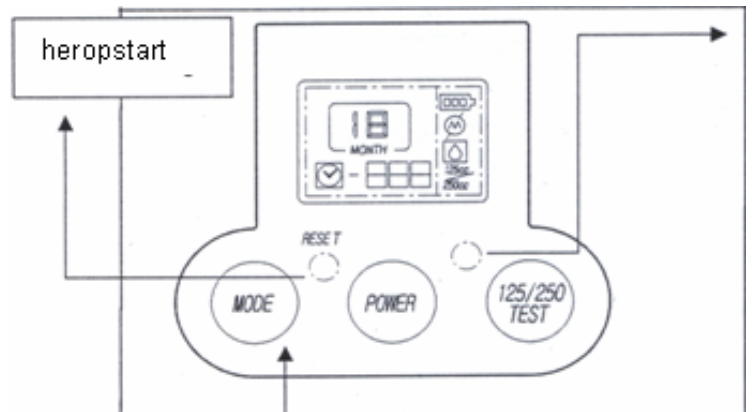
Stuureenheid
Bovenaanzicht

Controle paneel
Zijzicht

Bovenste
Gedeelte



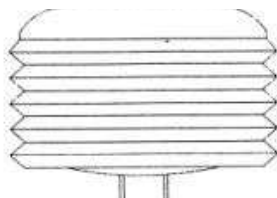
Het complete Pulsarlube toestel



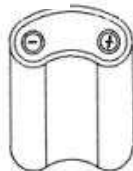
Rood licht: waarschuwing
 Begint te knipperen wanneer er zich een van de volgende situaties zich voordoet:

- lage batterij
- overbelaste motor
- laag vetniveau
- andere abnormale situatie

NAVULSET 125 CC OF 250 CC



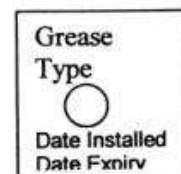
Vetpatroon



Batterijset



Beschermhoes



Sticker