

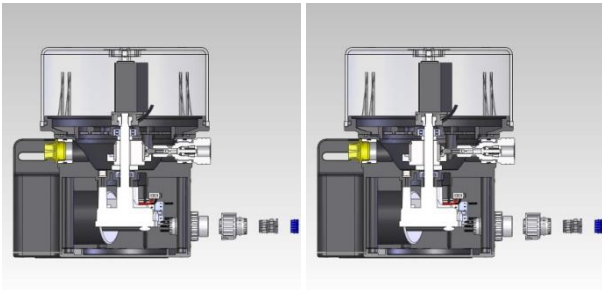
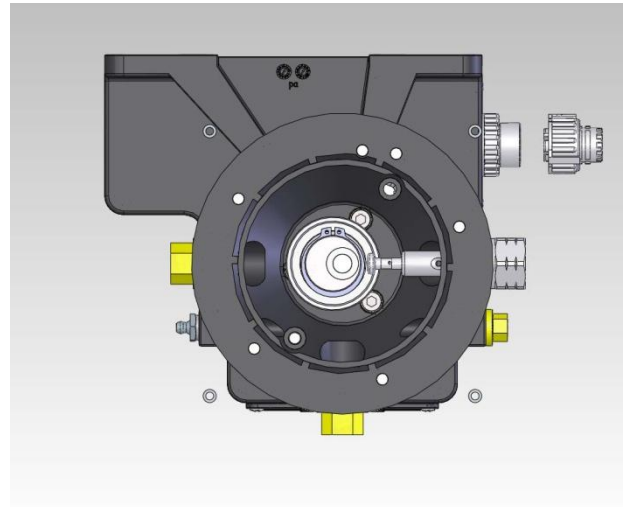


**ELECTRIC PUMPS  
GREASE (ILC-MAX-G)  
OR OIL (ILC-MAX-O)**

**APPLICATIONS**

*Ideally suitable for the automatic grease lubrication of all types of industrial machines and as a chassis lubrication pump for trucks, trailers, buses, construction and mechanical handling vehicles.*

*In conjunction with ILC DPA, DPM or DPX progressive dividers, more than three hundred greasing points can be automatically centralized from just a single grease pump.*



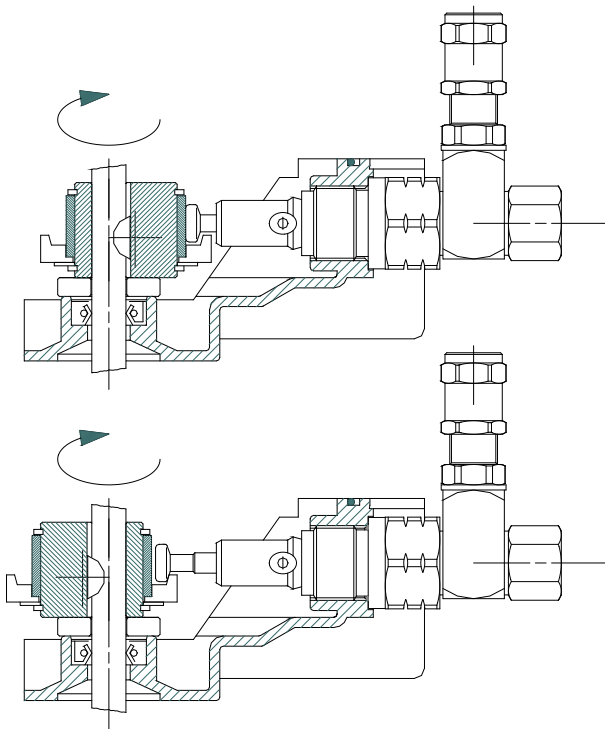
**OPERATION**

*The pumps are designed for intermittent or continuous operation to provide regular pre-programmed lubrication cycles as required for the various applications.*

*A direct-mounted electric geared motor drives an internal rotating cam, which can actuate up to three externally mounted pump elements.*

*Every pumping element has a relief valve to protect the system against over-pressure.*

*To have a bigger discharge it is possible to collect the three outlets from the pumping elements together in a single tube.*



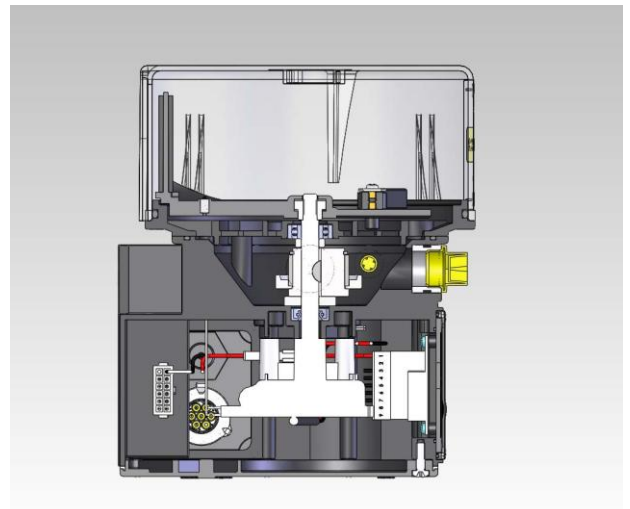
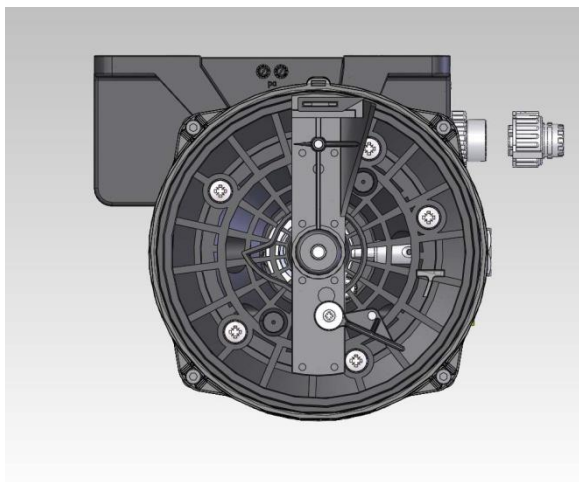
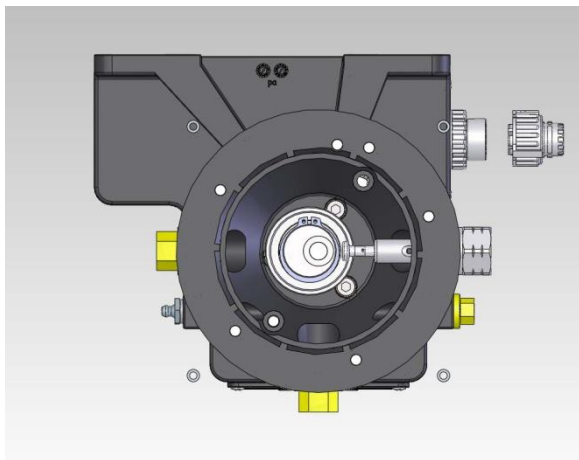


*ELECTRIC PUMPS  
GREASE (ILC-MAX-G)  
OR OIL (ILC-MAX-O)*

*The transparent reservoir has 2 KG, 4 KG or 8 KG capacity and metallic reservoir has 5 KG.*

*The pumps can attain a maximum recommended operating pressure of 250 bar per outlet and will deliver up to 2.88 cc/minute per outlet.*

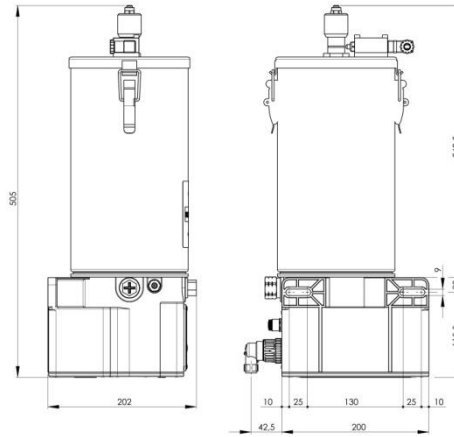
*The internal drive shaft is coupled to a specially formed stirring paddle in the reservoir of the pump unit which ensures continuous priming of the pump element inlets, even with grease up to NLGI No. 2 consistency at ambient temperature down to -20 °C*



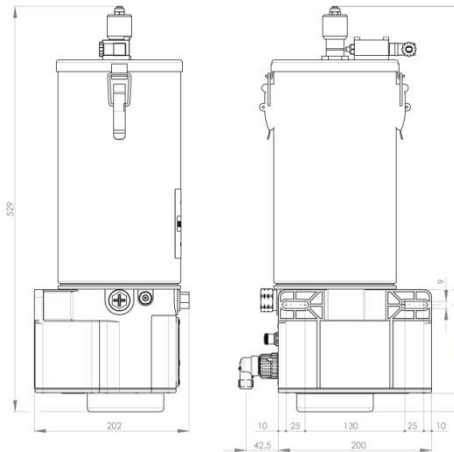
*The gear motor is protected by means of an IP-56 protection degree covering (NYLON PA6 +30% FIBERGLASS). The seal is guaranteed from well-mounted “o”-ring.*

*The pumps can have an integrated electronic control timer built into the covering. The timer can be pre-programmed to automatically operate the pump with variable “working time” and “pause times”.*

**GREASE ELECTRIC PUMP ILC-MAX-G 5 (12/24 V DC – 24 V AC)**



**GREASE ELECTRIC PUMP ILC-MAX-G 5 (115/230 V AC)**



**TECHNICAL DATA**

NUMBER OF OUTLETS	FROM 1 TO 3
DISCHARGE/ROPE WITH FIXED PUMPING ELEMENT	0.16 CC
DISCHARGE/ROPE WITH ADJUSTABLE PUMPING ELEMENT	0.01 – 0.16 CC
RPM	18
DISCHARGE/MIN WITH FIXED PUMPING ELEMENT	2.88 CC
DISCHARGE/MIN WITH ADJUSTABLE PUMPING ELEMENT	0.18 – 2.88 CC
SUITABLE LUBRICANTS	GREASE UP TO NLGI NO. 2 CONSISTENCY
MAX. OPERATING PRESSURE	275 BAR (3993 PSI) ±10%
RESERVOIR CAPACITY	5 KG - METALLIC
TEMPERATURE	FROM - 20 °C TO + 80 °C
OUTLET CONNECTION	1 / 4" G
LOW LEVEL SWITCH	5A – 250 V AC / 0.4 A - 125 V DC – NC o NO contact



*HOW TO ORDER*

**40.2.24AC.FST.G**

<p><b>RESERVOIR</b>  <b>2</b> = 2 Kg transparent  <b>4</b> = 4 Kg transparent  <b>8</b> = 8 Kg transparent  <b>5</b> = 5 Kg metallic</p>	<div style="border: 1px solid black; width: 100%; height: 100%; position: relative;"> <div style="position: absolute; top: 0; right: 0; width: 100%; height: 100%; border: 1px solid black;"></div> </div>
<p><b>TENSION</b>  <b>12DC</b> = 12 V DC  <b>24DC</b> = 24 V DC  <b>24AC</b> = 24 V AC  <b>115V</b> = 115 V AC  <b>230V</b> = 230 V AC</p>	
<p><b>PUMPING ELEMENT</b>  <b>F</b> = fixed discharge  <b>R</b> = adjustable discharge</p>	
<p><b>TIMER</b>  <b>CT</b> = with timer  <b>ST</b> = without timer</p>	
<p><b>LUBRICANT</b>  <b>G</b> = grease  <b>O</b> = oil</p>	

All the pumps are equipped with **lubricant low level switch** and grease pumps (not oil ones) with 2, 4 and 8 kg reservoir are equipped with **electrical control of motor rotation**.

**Models with timer** are equipped with 7-poles TYCO connector and 4-poles M12x1 one; **models without timer** are equipped with only 7-poles TYCO connector.

**PUMP MOUNTING**

*Pumps must be secured in a vertical position by two bolts, nuts and washers through integrated mounting bracket of pump body*