



# PROGRESSIV SYSTEM PROGRESSIVE SYSTEM

ÖL- UND FETTSIEBE

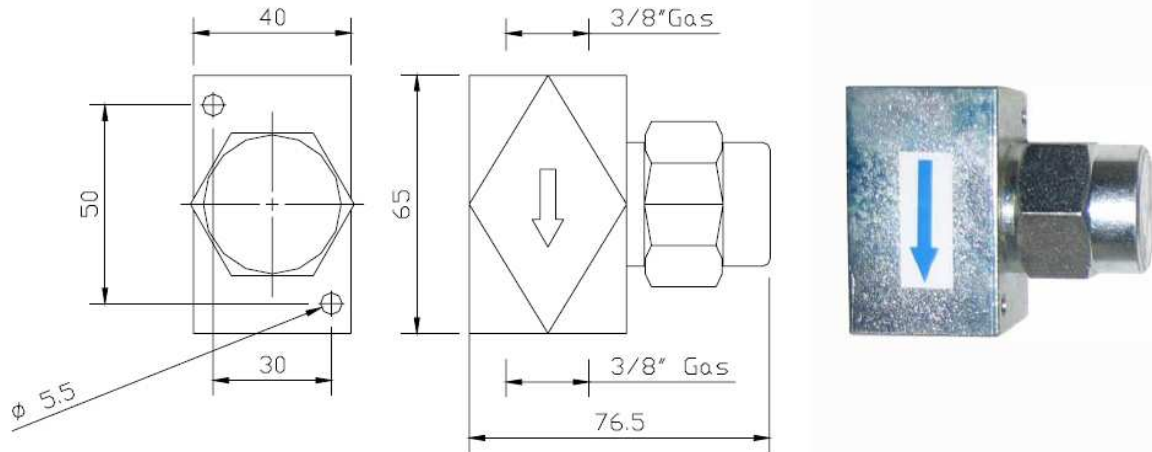
OIL AND GREASE LINE STRAINERS

MAXIMALER BETRIEBSDRUCK 500 BAR

WORKING MAXIMUM PRESSURE 500 BAR

ABMESSUNGEN

OVERALL DIMENSION



**BESTELLANGABEN FÜR ÖLSIEBE**

**CODES TO ORDER OIL STRAINERS**

BESTELLNUMMER CODE	MICRON	GEWINDE THREAD	SIEBELEMENT STRAINER ELEMENT
07.260.0	25	1/4"	07.262.0
07.260.1	40	1/4"	07.262.1
07.260.2	60	1/4"	07.262.2
07.260.3	125	1/4"	07.262.3
07.260.4	25	3/8"	07.262.0
07.260.5	40	3/8"	07.262.1
07.260.6	60	3/8"	07.262.2
07.260.7	125	3/8"	07.262.3

**BESTELLANGABEN FÜR FETTSIEBE**

**CODES TO ORDER GREASE STRAINERS**

BESTELLNUMMER CODE	MICRON	GEWINDE THREAD	SIEBELEMENT STRAINER ELEMENT
07.261.0	150	1/4"	07.262.4
07.261.1	300	1/4"	07.262.5
07.261.2	150	3/8"	07.262.4
07.261.3	300	3/8"	07.262.5
07.261.4	150	1/2"	07.262.4
07.261.5	300	1/2"	07.262.5