



## OIL WINDOWS OIL FILLER CAP

**R.OV.246/A** without oil drain plug

**R.OV.246/B** with oil drain plug

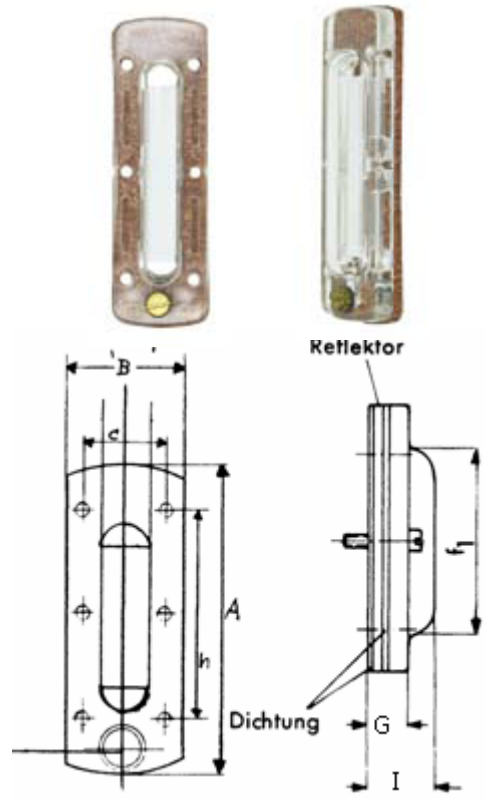
made of plexigum, pressure: 1-2 atm

Withstands heat up to 70 ° C. Max pressure: 5 bar

Is resistant to all oils: petroleum, gasoline, etc.

Comes with closing plates of cork closure.

Model with white Perbunan closure at surcharge available



Size	St 60	St 80	Sr 100	St 125
A	60	80	100	125
B	30	30	30	30
C	22	22	22	22
h	35.5	55	70	90
Fn	32	54	74	99
G mm	9	9	9	9
I mm	16	16	16	16
Mounting holes	Ø 4.22	Ø 4.22	Ø 4.22	Ø 4.22

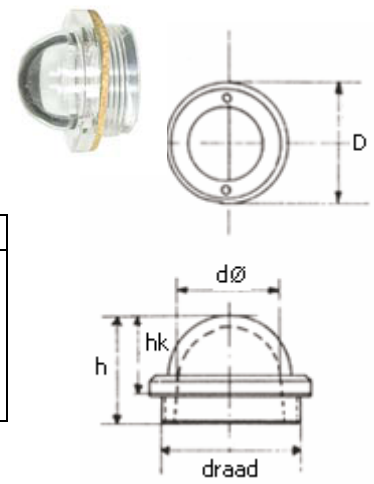
### R.OPG.251

Flow indicator,

Crystal clear poly acrylic plastic, with seal hemispherical shape

vertical and horizontal installation possible

Threaded



Size	Draad	D mm	d mm	H mm	Hk mm
US 12	R 1/2" / M 20x1.5	28.1	12	23.2	13.2
US 16	R 3/4" / M 27x1.5	34.8	18	29	18
US 22	R 1" / M 33x1.5	39.4	22	28	17.5
US 25	M 35x1.5	45	25	32.3	19
US 28	R 1 1/4" / M 42x1.5	49.7	28	34.5	21.5

### R.OPG.252

Flow indicator,

Crystal clear poly acrylic plastic, with seal High hemispherical shape

Vertical and horizontal installation possible

Threaded

Size	Draad	D mm	d mm	H mm	Hk mm
US 16 H	R 3/4" / M 27x1.5	35	18	45	33
US 22 H	R1" / M 33x1.5	40	32	47	37

Subject to change