

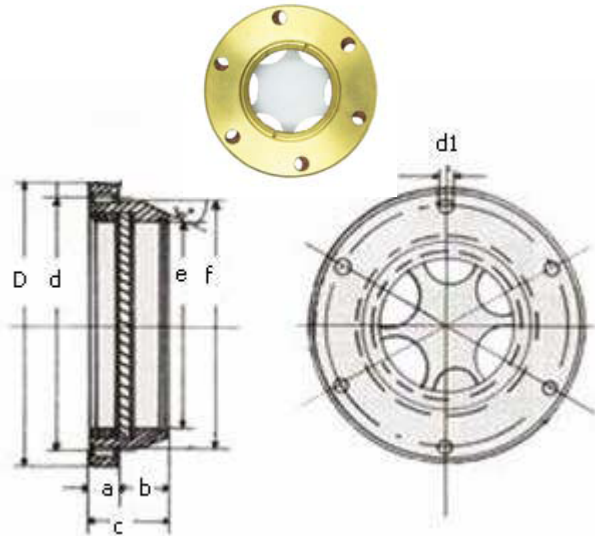
## OIL SIGHT GLASS

**R.OPG.241/SK** Brass oil sight glass, for use up to 130°C.

**R.OPG.241/SK-T** Oil sight glass with 4 mm tempaxglass, for use up to 300 °C.

Two-piece body and reflector.

Size	SK 34	SK 54	SK 84
D	68	95	125
d	58	83	113
a	5	5.5	6
b	10	10.5	11
c	15	16	17
d1	5.4	6.5	6.5
e	34	54	84
f	46	65	96
Max. druk SK	8	8	4
Max. druk SK-T	16	16	8

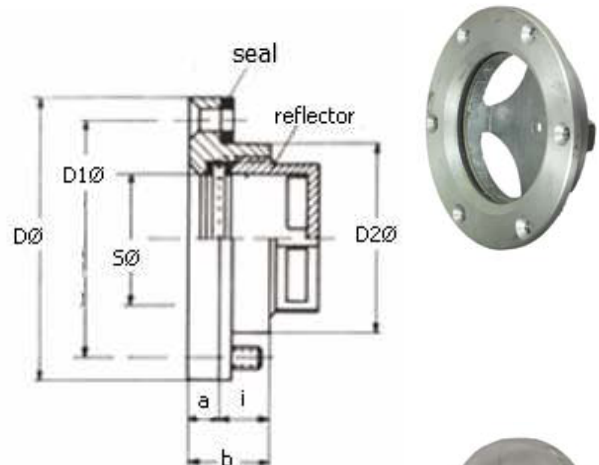


### R.OPG.241/A

Screwable oil sight glass

With center ring, aluminium casing with sight glass screwed with countersunk screws. Can withstand temperatures up to 100 ° C. (Also available with hard-pressed glass and special sealing rings that can withstand temperatures up to 200 ° C)

Size	A-4
D Ø	128
D1 Ø	113
D2 Ø	98
S Ø	80
i	18
a	6
b	24
Screw for lowering the lens	6xM6x15

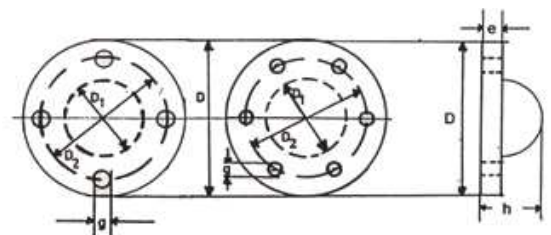


### R.OPG.253

Oil circulation indicator

Clear plastic (acryl) Hemispherical shape for screwing. Comes With white reflector disk, can withstand temperatures up to 70°C and low pressure up to 1-2 bar. Includes IT-seal. Do not use aggressive products.

Size	D mm	D1 mm	D2 mm	e mm	g mm	h mm
US24/S	48	24	36	5	5	20
US45/S	70	45	58	6	5	27.2
US68/S	98	68	83	6.5	6	42



Subject to change