

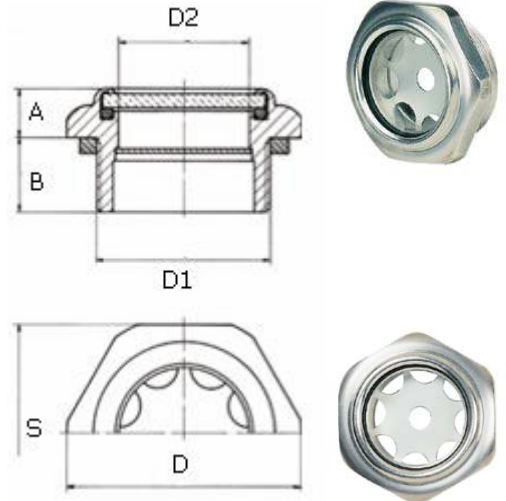
OIL SIGHT GLASS

R.OPG.240/AS

Oil sight glass of light metal with hexagonal body

Sight glass made of glass, with reflector, for use up to 130°C with a pressure of 4 bar. Sight glass of plexiglass is and without reflector is also available.

Thread D1	D2 mm	D mm	A mm	B mm	S mm	tightening torque
R 1/4"	8	19	5.5	8	17	8 Nm
M 12x1.5	8	19	5.5	8	17	8 Nm
R 3/8"	11	24	5.8	8	22	20 Nm
M 16x1.5	11	24	8	8	22	20 Nm
R 1/2"	15	30	6	9	27	40 Nm
M 20x1.5	15	30	8	9	27	40 Nm
R 3/4"	20	35	10	10	32	50 Nm
M 24x1.5	15	30	8	9	27	50 Nm
M 26x1.5	20	35	8.5	10	32	50 Nm
M 27x1.5	20	35	8.5	10	32	50 Nm
R 1"	25	45	8.5	14	41	90 Nm
M 30x1.5	25	45	10	14	41	90 Nm
M 33x1.5	25	45	10	14	41	90 Nm
M 35x1.5						
R 1 1/4"	33	55	8.5	14	50	200 Nm
M 42x1.5						
R 1 1/2"	38	60	8.5	14	55	220 Nm
M 48x1.5						

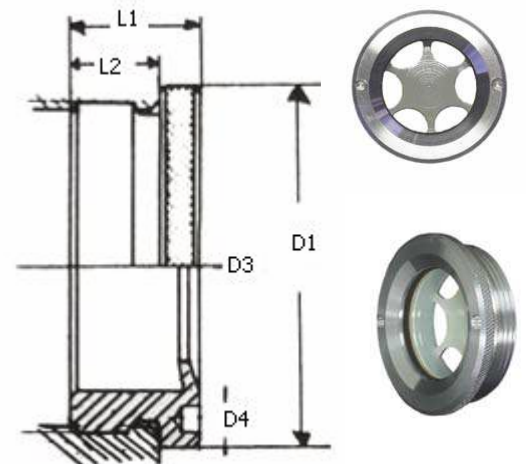


R.OPG.240/AR

Oil sight glass of light metal

Round body, sight glass is made of glass, with reflector. Heat resistant to 130°C

Thread	D1 mm	D3 mm	D4 mm	L1 mm	L2 mm	tightening torque
R 1/2"	26	10	3	12	8	40 Nm
M 22x1.5						
R 3/4"	32	17	3	12	8	50 Nm
M 26x1.5						
R 1"	38	21	3	14	9	90 Nm
R 1 1/4"	48	27	3,4	15	10	200 Nm
R 1 1/2"	55	33	3,4	16	10	220 Nm
M 48x1.5						
R 2"	70	42	4,6	20	15	220 Nm
R 3"	105	68	7	35	25	220 Nm



Subject to change