

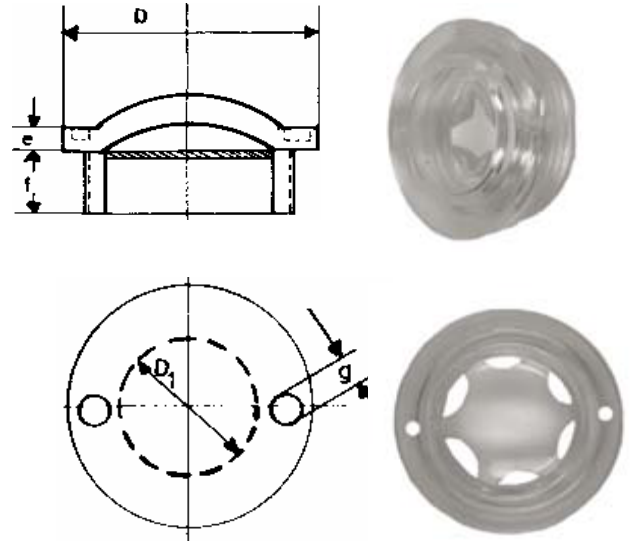
## OIL SIGHT GLASS

### R.OPG.240

Oil sight glass from clear plexiglass

With white reflector disk, for use up to 70°C, for low pressure (1-2 atm), comes with gasket from It-material

Thread	D mm	D1 mm	E mm	F mm	G mm
R 1/4"	20	6	4	8.5	1.2
M 12x1					
R 3/8"	24	9.5	4	9.5	2.6
M 16x1.5					
R 1/2"	28	14	5	9/11	2.6
M 20x1.5					
M 24x1.5	35	16	5	13	2.6
R 3/4"	35	16	5	13	2.6
26x1.5 / 27x1.5					
M 30x1.5	37	18/22	5	8/13	3.5
R 1"	40	23	5	12.5	2.6
M 33x1.5					
M 35x1.5	45	27	5	13	3.7
R 7/8" / 1 1/4"	50	30	5	13	3.2
M 42x1.5					
R 1 1/2"	55	33/35	6	14	3.7
M 48x1.5					
R 2"	68	43	6	14.5	5
M 60x2.0					

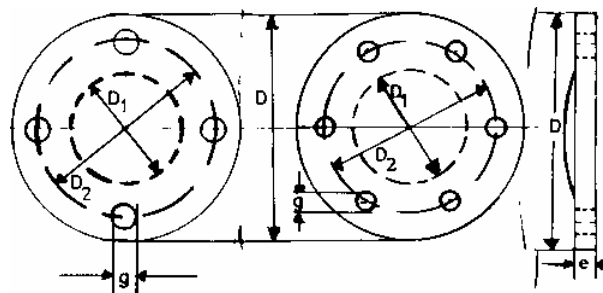


### R.OPG.241

Oil sight glass from clear plexiglass to screw on slippery surfaces.

With white reflector disk, for use up to 70°C, for low pressure (1-2 atm), comes with gasket from It-material

Size	D mm	D1 mm	D2 mm	E mm	G mm
SK 24/S	48	24	36	5.5	5
SK 45/S	70	46	58	6	5
SK 68/S	98	69	83	6	6.5
SK 98/S	128	98	113	6.5	6.5
SK 135/S	170	138	154	7	7



Subject to change