



## OIL LEVEL INDICATOR

### R.OPA.28000

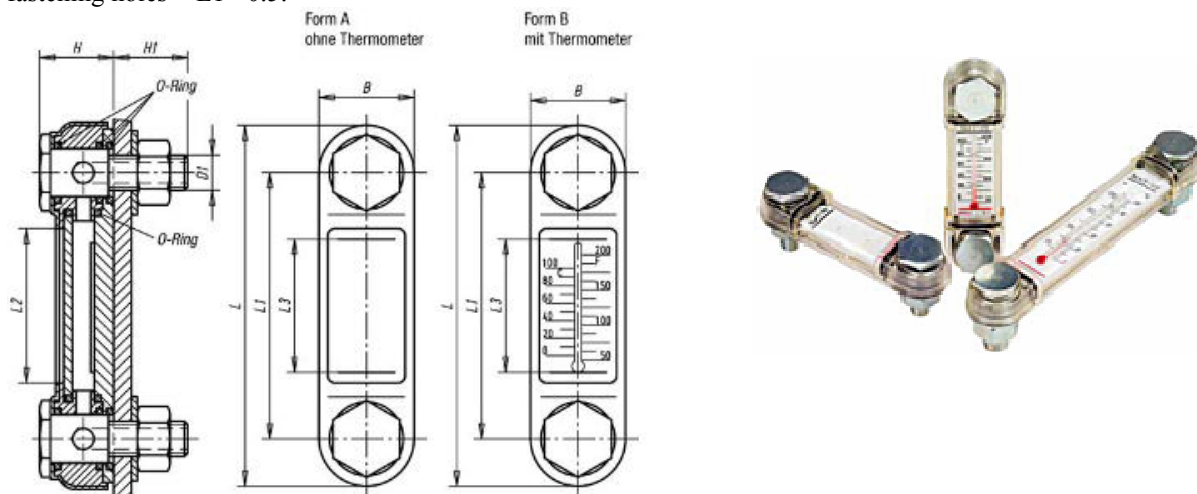
#### Oil Level Gauges

##### Material, surface finish:

Housing in polyamide, transparent, high mechanical stability, non-ageing, temperature resistant with oil up to 100 °C, with water up to 70 °C; O-ring and flat packing in rubber (NBR); reflector in aluminium, painted white; graduation and scale marks black; screw, hexagon nut and washer in galvanized steel

##### Note:

The Oil Level Gauges can either be fastened as shown in the illustration or directly in the threaded hole. Centre distance for the fastening holes = L1 ±0.5.



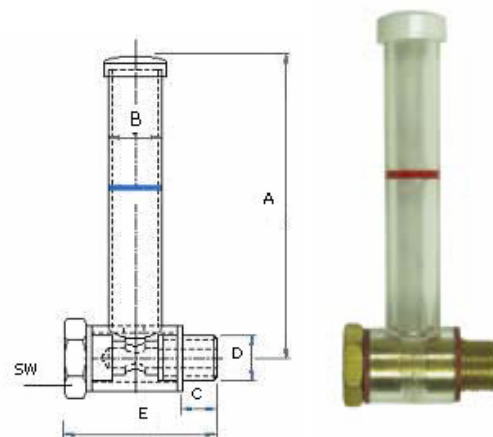
| Order No.    | Form | B  | D1  | H  | H1 | L   | L1  | L2  | L3  | Temp. scale |
|--------------|------|----|-----|----|----|-----|-----|-----|-----|-------------|
| 28000-107610 | A    | 31 | M10 | 21 | 17 | 107 | 76  | 39  | 37  | -           |
| 28000-107612 | A    | 31 | M12 | 21 | 20 | 107 | 76  | 39  | 37  | -           |
| 28000-112710 | A    | 31 | M10 | 21 | 17 | 156 | 127 | 90  | 80  | -           |
| 28000-112712 | A    | 31 | M12 | 21 | 20 | 156 | 127 | 90  | 80  | -           |
| 28000-125412 | A    | 34 | M12 | 26 | 27 | 280 | 254 | 213 | 204 | -           |
| 28000-207610 | B    | 31 | M10 | 21 | 17 | 107 | 76  | 39  | 37  | 0-100°C     |
| 28000-207612 | B    | 31 | M12 | 21 | 20 | 107 | 76  | 39  | 37  | 0-100°C     |
| 28000-212710 | B    | 31 | M10 | 21 | 17 | 156 | 127 | 90  | 80  | 0-100°C     |
| 28000-212712 | B    | 31 | M12 | 21 | 20 | 156 | 127 | 90  | 80  | 0-100°C     |
| 28000-225421 | B    | 34 | M12 | 26 | 27 | 280 | 254 | 213 | 204 | -10-80°C    |

### R.OPA232/NT

#### Oil level gauge,

With swivel stem from plexiglass, brass screws, vent free of pollution. With red level mark.

| D      | B  | C   | E  | SW | Height A           |
|--------|----|-----|----|----|--------------------|
| R 1/8" | 10 | 8   | 35 | 14 | 38-50,5-71         |
| R 1/4" | 13 | 7.5 | 38 | 19 | 19-74-103-163      |
| R 3/8" | 16 | 10  | 45 | 22 | 76,5-106-164,5     |
| R 1/2" | 20 | 12  | 52 | 27 | 78,5-107,5-167-217 |



Subject to change