

OIL LEVEL INDICATOR

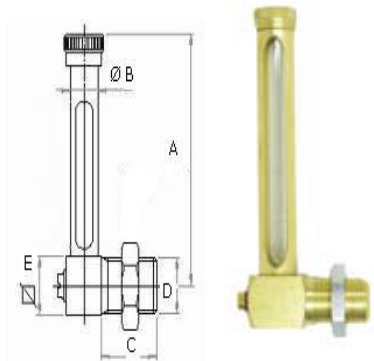
R.OPA.H.222

Right-angled oil level gauge

With cleaning screw, square bottom part, nut and regular glass tube.

Made from brass.

D	B	C	E	Height A	Type
R 1/8"	13	20	14x14	40-50-60-70-80-90-100- 125-150-175-200-250-300	DIN 3018/C
R 1/4"	13	20	14x14	Idem	DIN 3018/C
R 3/8"	13	25	17x17	Idem	DIN 3018/C
R 1/2"	16	30	22x22	60-80-100-125-150-175-200- 250-300	DIN 3018/C
R 3/4"	24	44	28x28	150-300	DIN 3018/C

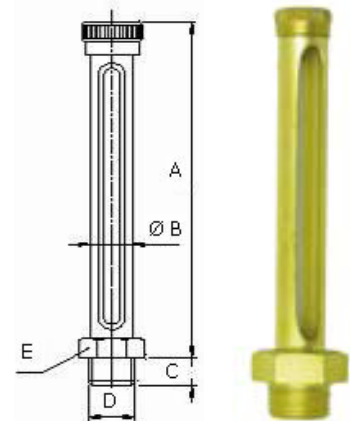


R.OPA.R.226

Vertical oil level gauge

Made from brass with regular glass tube.

D	B	C	E	Height A	Type
R 1/8"	13	8	SW 14	40-50-60-70-80-90-100- 125-150-175-200-250-300	DIN 3018/A
R 1/4"	13	8	SW 14	idem	DIN 3018/A
R 3/8"	13	10	SW 22	idem	DIN 3018/A
R 1/2"	16	12	SW 27	60-80-100-125-150-175-200- 250-300	DIN 3018/A
R 3/4"	24	15	SW 36	150-300	DIN 3018/A



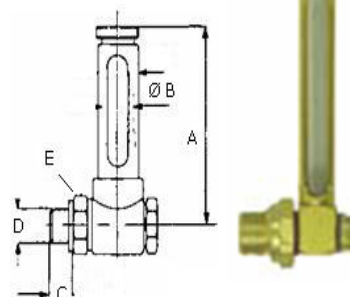
Intermediate sizes and higher indicators available on request. Also available with metric thread and swing-lid

R.OPA.H.232/G

Right-angled oil level gauge

With screw cap, brass screw piece and regular glass tube. Can withstand temperatures up to 100°C

D	B	C	E	Height A	Type
R 1/8"	16	8	SW 22	50-60-80-100-125-150	DIN 3018/E
R 1/4"	16	12	SW 22	50-60-80-100-125-150- 175-200	DIN 3018/E
R 3/8"	16	12	SW 22	idem	DIN 3018/E
R 1/2"	16	14	SW 27	idem	DIN 3018/E



Subject to change