

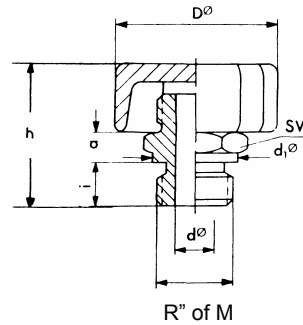
BREATHER

R.OL.554/EA

Breather and filler

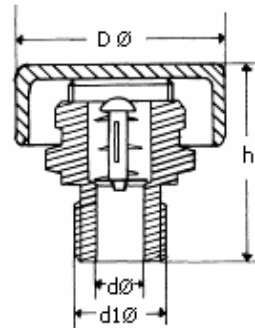
with removable aluminium cap, steel thread

Thread R M	1/2" 20x1.5	3/4" 26x1.5	1" 35x1.5	1 1/4" 42x1.5	1 1/2" 48x1.5
d Ø	12	18	24	35	35
i	14	14	14	14	14
D Ø	45	45	58	58	58
d1 Ø	26	26	40	45	48
a	10	10	14	18	14
h	43	43	52	52	52
SW	27	27	41	41	41



R.OL.554/EA-PR

Similar to OL.554/EA, but has shock plate cap removable

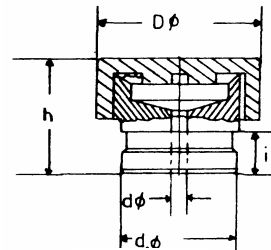


R.OL.556

Breather

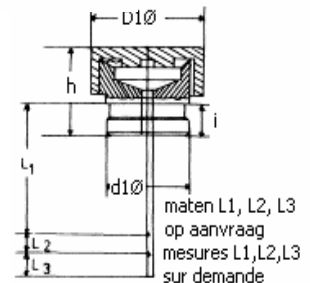
with aluminium cap, steel thread

DRAAD R M	1/4" 12x1.5	3/8" 16x1.5	1/2" 20x1.5	3/4" 26x1.5	1" 35x1.5	1 1/4" 42x1.5	1 1/2" 48x1.5
d Ø	4.6	4.6	4.6	4.6	10		
i	9	9	9	9	16		
D Ø	40	40	40	40	40		
d1 Ø	18	21.5	26	27	31		
h	28	28	28	28	50		



R.OL.556/M

Breather with dipstick



R.OL.556/E

Breather and filler

20mmØ with O-ring seal



Subject to change