



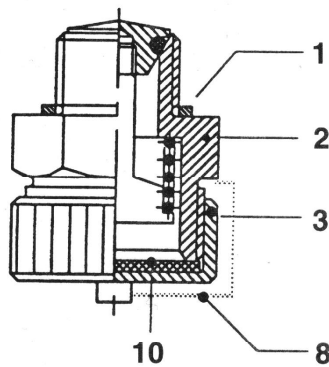
OIL DRAIN VALVES

THE FASTEST, CLEANEST AND BEST WAY TO DRAIN OIL

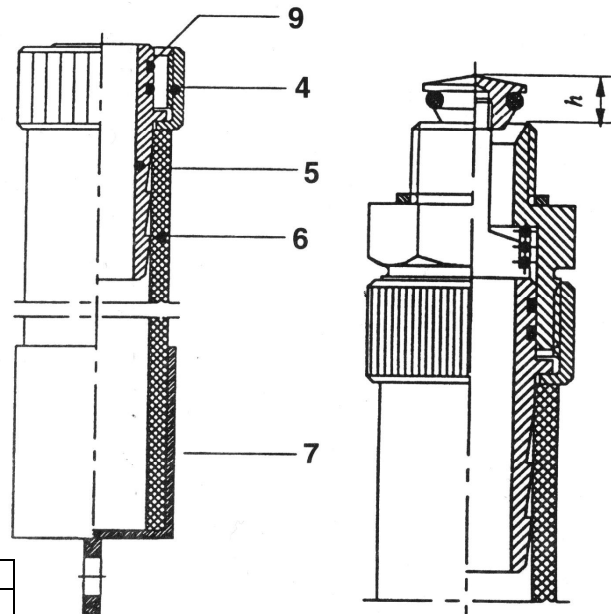
Very often, oil change is a dirty and not harmless job. With these oil drain valves, An easy and environmentally friendly way is achieved to drain oil. Moreover, this drain valve can also be used to drain any fluid toolless

Form A1

Form A2



Form A3



DRAIN VALVE			
1	Seal	6	Drain hose
2	Valve body	7	Protective Cap
3	Guard	8	Chain
4	Push-on screw	9	Seal
5	Tailpiece	10	Seal

Use

The existing sump plug is replaced by the automatic drain valve. At the next oil change is only the protective cap is unscrewed and the drain hose on the valve is screwed on the valve. The oil flows directly through the tube into the container. When unscrewing the drain hose, the drain valve is closed again. Just screw the cap back! This is all done toolless.

Advantages

- No oil loss or damage to thread
- No need for replacement of seal
- No contact of oil with the skin
- No more oil on the floor